



Wuxi Wohuan Instrument Technology Co., Ltd is a manufacturer and solution provider of measuring instruments and monitoring systems such as water quality analyzer, level meter, pressure transmitter, flow meter, etc.

Wuxi Wohuan Technology focuses on 80G radar level products, has been insisting on exploration and research in the level field, and has accumulated a lot of experience in the application of radar level meters in different industries.

We specialize in the fields of industrial and environmental monitoring for many years with a professional technical research and development team, and has long-term cooperation with major universities.

80GHz non-contact radar meter

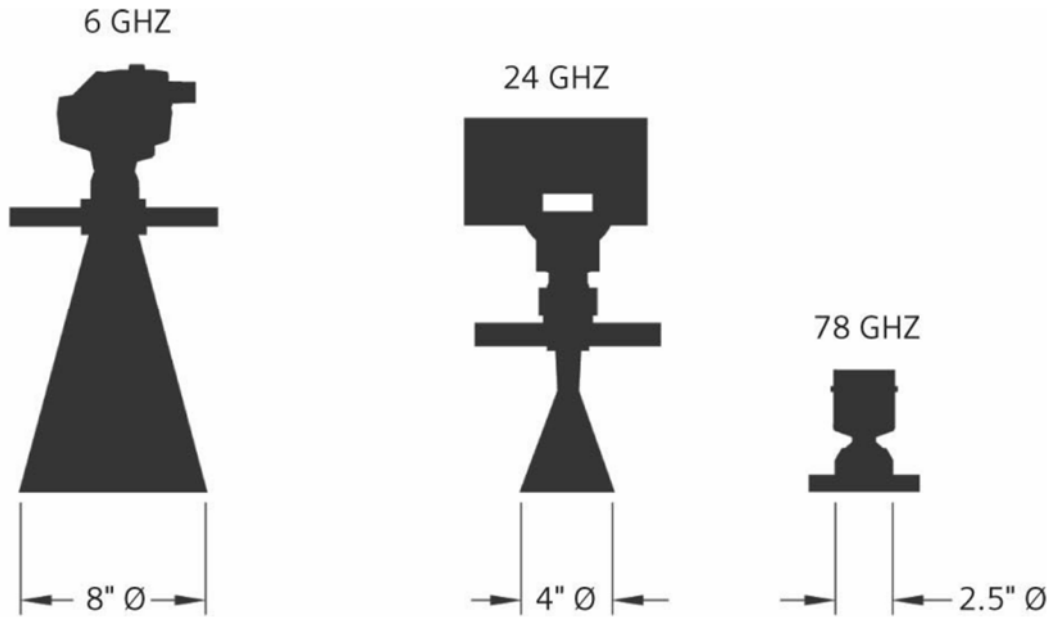
WH-LD-8X series 80GHz non-contact radar can realize continuous level measurement of solids and liquids. It can ensure high precision and high stability of measurement under various working conditions. Easy to install, simple to operate and less maintenance, this series is an ideal solution for level control in the production process.

Features:

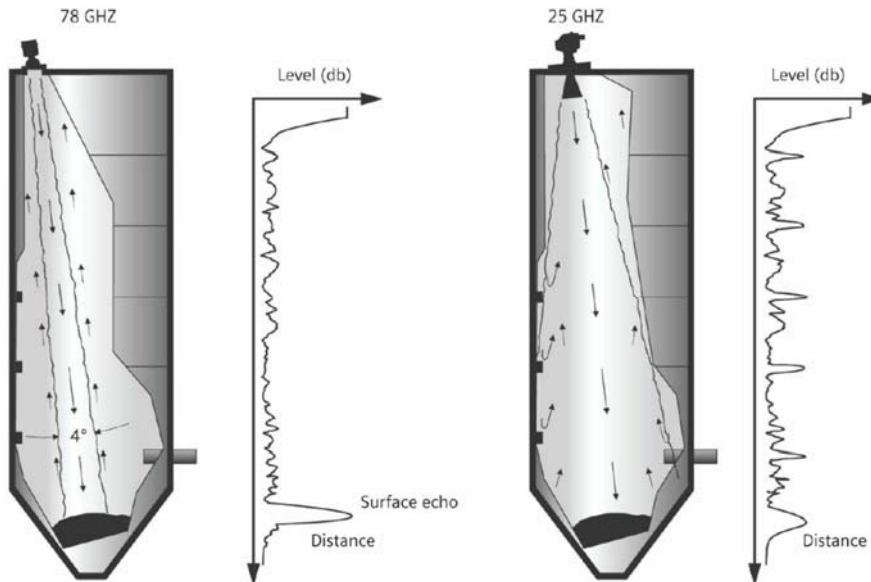
- 80GHz FMCW technology
- False echo suppression option
- Narrow beam, small blind zone and accurate measurement
- Unaffected by temperature fluctuations
- Resistant to dirt and buildup
- Measurement under vacuum and high pressure
- Small size, easy to use, less maintenance

Advantage:

1. The higher the frequency, the smaller the antenna, very portable and easy to install



2. Narrow signal ensures only minimal signal interference from hitting the side of the silo, preventing multi-path problems which leading to inaccurate and false. Narrow signal ensures accurate result.



WH-LD-81A



Application	Liquid in small container
Measuring range	10m
Frequency range	76~81GHz
Bandwidth	Instant 4Ghz
Deviation	±5mm
Signal output	4...20mA/HART
Digital output	RS485/MODBUS
Connection	Bluetooth/NB-iot/4G
Operating voltage	Two wires DC24 ±6V Four wires AC220V
Antenna	Stainless Steel+PTFE horn lens antenna
Process fitting	Thread G3/4 Flange from DN30
Process temperature	-40~+120℃
Process pressure	(-0.1~0.1) MPa

WH-LD-82B



Application	Liquid
Measuring range	30m
Frequency range	76~81GHz
Bandwidth	Instant 4Ghz
Deviation	±5mm
Signal output	4...20mA/HART
Digital output	RS485/MODBUS
Connection	Bluetooth/NB-iot/4G
Operating voltage	Two wires DC24±6V Four wires AC220V
Antenna	Stainless Steel+PTFE horn lens antenna
Process fitting	Thread G1½ Flange from DN50
Process temperature	-40~+120℃
Process pressure	(-0.1~0.1) MPa

WH-LD-82C



Application	Corrosive liquid
Measuring range	30m
Frequency range	76~81GHz
Bandwidth	Instant 4Ghz
Deviation	±5mm
Signal output	4...20mA/HART
Digital output	RS485/MODBUS
Connection	Bluetooth/NB-iot/4G
Operating voltage	Two wires DC24±6V Four wires AC220V
Antenna	PTFE Lens antenna
Process fitting	Thread G1½ Flange DN50
Process temperature	-40~+120℃
Process pressure	(-0.1~0.1) MPa

WH-LD-83A



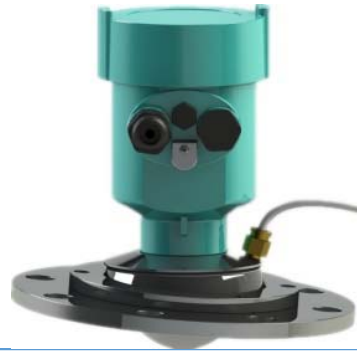
Application	Corrosive and pressure liquid
Measuring range	30m
Frequency range	76~81GHz
Bandwidth	Instant 4Ghz
Deviation	±5mm
Signal output	4...20mA/HART
Digital output	RS485/MODBUS
Connection	Bluetooth/NB-iot/4G
Operating voltage	Two wires DC24±6V Four wires AC220V
Antenna	Stainless Steel+PTFE encaplulated horn lens antenna
Process fitting	Flange from DN50
Process temperature	-40~+120℃
Process pressure	(-0.1~2.5) MPa

WH-LD-83B



Application	Liquid-hygienic
Measuring range	30m
Frequency range	76~81GHz
Bandwidth	Instant 4Ghz
Deviation	±5mm
Signal output	4...20mA/HART
Digital output	RS485/MODBUS
Connection	Bluetooth/NB-iot/4G
Operating voltage	Two wires DC24±6V Four wires AC220V
Antenna	Stainless Steel+PTFE Horn lens antenna
Process fitting	Clamp from ϕ 50.5
Process temperature	-40~+120℃
Process pressure	(-0.1~1) MPa

WH-LD-85A



Application	Solid powder and dust
Measuring range	120m
Frequency range	76~81GHz
Bandwidth	Instant 4Ghz
Deviation	±5mm
Signal output	4...20mA/HART
Digital output	RS485/MODBUS
Connection	Bluetooth/NB-iot/4G
Operating voltage	Two wires DC24±6V Four wires AC220V
Antenna	Stainless Steel+PTFE Horn lens antenna with swivelling holder and sweep lines
Process fitting	Flange from DN80
Process temperature	-40~+120℃
Process pressure	(-0.1~0.3) MPa

WH-LD-86A



Application	Solid/Liquid Corrosive liquid with steam and foam
Measuring range	120m
Frequency range	76~81GHz
Bandwidth	Instant 4Ghz
Deviation	± 5mm
Signal output	4...20mA/HART
Digital output	RS485/MODBUS
Connection	Bluetooth/NB-iot/4G
Operating voltage	Two wires DC24 ± 6V Four wires AC220V
Antenna	Stainless Steel+PTFE Horn lens antenna
Process fitting	Flange from DN80
Process temperature	-40~+120℃
Process pressure	(-0.1~0.1) MPa

WH-LD-88A



Application	Solid/Liquid Corrosive/Pressure liquid with steam and foam Max 200°C
Measuring range	120m
Frequency range	76~81GHz
Bandwidth	Instant 4Ghz
Deviation	±5mm
Signal output	4...20mA/HART
Digital output	RS485/MODBUS
Connection	Bluetooth/NB-iot/4G
Operating voltage	Two wires DC24±6V Four wires AC220V
Antenna	Stainless Steel+PTFE encaplulated horn lens antenna
Process fitting	Flange from DN80
Process temperature	-40~+200°C
Process pressure	(-0.1~2.5) MPa

WH-LD-88B



Application	Solid/Liquid/Dust Max 200℃
Measuring range	120m
Frequency range	76~81GHz
Bandwidth	Instant 4Ghz
Deviation	±5mm
Signal output	4...20mA/HART
Digital output	RS485/MODBUS
Connection	Bluetooth/NB-iot/4G
Operating voltage	Two wires DC24±6V Four wires AC220V
Antenna	Stainless Steel+PTFE Horn lens antenna with swivelling holder and sweep lines
Process fitting	Flange from DN80
Process temperature	-40~+200℃
Process pressure	(-0.1~0.3) MPa

WH-LD-88C



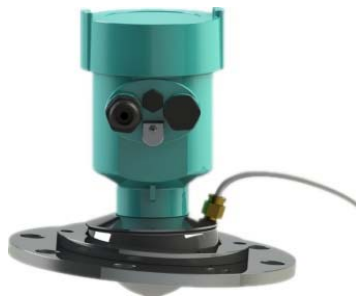
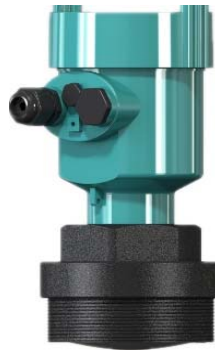
Application	High temperature solid High temperature and pressure liquid Max 1200°C
Measuring range	120m
Frequency range	76~81GHz
Bandwidth	Instant 4Ghz
Deviation	±5mm
Signal output	4...20mA/HART
Digital output	RS48/MODBUS
Connection	Bluetooth/NB-iot/4G
Operating voltage	Two wires DC24±6V Four wires AC220V
Antenna	Stainless Steel+PTFE+Quartz glass Lorn lens antenna with heat dissipation tube
Process fitting	Flange from DN100
Process temperature	-40~+1200°C
Process pressure	(-0.1~2.5) MPa

WH-LD-82A

WH-LD-82B

WH-LD-83


Frequency range	W-band, 80GHz	W-band, 80GHz	W-band, 80GHz
Application	Corrosive liquid	Liquid	Corrosive liquid
Measuring range	20m	30m	30m
Deviation	±1mm	±1mm	±1mm
Signal output	4...20mA	4...20mA	4...20mA
Connection	HART/RS485 Bluetooth/NB-iot	HART/RS485 Bluetooth/NB-iot	HART/RS485 Bluetooth/NB-iot
Operating voltage	Two wires DC24±6V Four wires AC220V	Two wires DC24±6V Four wires AC220V	Two wires DC24±6V Four wires AC220V
Antenna	PTFE Integrated lens antenna;	Stainless Steel+PTFE Lens antenna with sweep lines;	Stainless Steel+PTFE Flat plate lens antenna;
Process fitting	Threads from G1½ Flange from DN50	Threads from G2 Flange from DN50	Threads from G3 Flange from DN80
Process temperature	-40~+120°C	-40~+120°C	-40~+120°C
Protection rating	IP67	IP67	IP67
Explosion protection	Ex ia IIB T4 Ga	Ex ia IIB T4 Ga	-----
Process pressure	(-0.1~1.0) MPa	(-0.1~1.0) MPa	(-0.1~2.5) MPa

WH-LD-85A

WH-LD-86A

WH-LD86B


Frequency range	W-band, 80GHz	W-band, 80GHz	W-band, 80GHz
Application	Solid、dust	Solid、liquid	Solid、dust
Measuring range	120m	120m	120m
Frequency range	76~81GHz	76~81GHz	76~81GHz
Deviation	±1mm	±1mm	±1mm
Signal output	4...20mA	4...20mA	4...20mA
Connection	HART/RS485 Bluetooth/NB-iot	HART/RS485 Bluetooth/NB-iot	HART/RS485 Bluetooth/NB-iot
Operating voltage	Two wires DC24±6V Four wires AC220V	Two wires DC24±6V Four wires AC220V	Two wires DC24±6V Four wires AC220V
Antenna	Stainless Steel+PTFE Lens antenna;	POM+PTFE Lens antenna;	Stainless Steel+PTFE Lens antenna;
Process fitting	Flange from DN100 with swivelling holder and sweep lines	Threads from G3-1/2 Flange from DN100	Threads from G3 Flange from DN80 Optional sweep lines
Process temperature	-40~+120℃	-40~+120℃	-40~+120℃
Protection class	IP67	IP67	IP67
Explosion protection	Ex ia IIB T4 Ga	Ex ia IIB T4 Ga	Ex ia IIB T4 Ga
Process pressure	(-0.1~2.5) MPa	(-0.1~1.0) MPa	(-0.1~2.5) MPa