



# WOHUAN

Wuxi Wohuan Instrument Technology Co., Ltd.

Instrument, environmental protection monitoring  
intelligent iot, automatic control manufacturing

COOPERATION, WIN-WIN, INNOVATION AND DEVELOPMENT

Leading Science and Technology Service Society | Service create customer value



WH-131 pressure transmitter



Hersman type



Straight lead type



Air insert type



Explosion-proof type

APPLICATIONS

- ◆ Mechanical engineering application, Servomechanism, Hydraulic pneumatic
- ◆ Measurement of High pressure water jet, Barometric pressure
- ◆ Measurement of Pipe pressure
- ◆ General Industrial Control Area

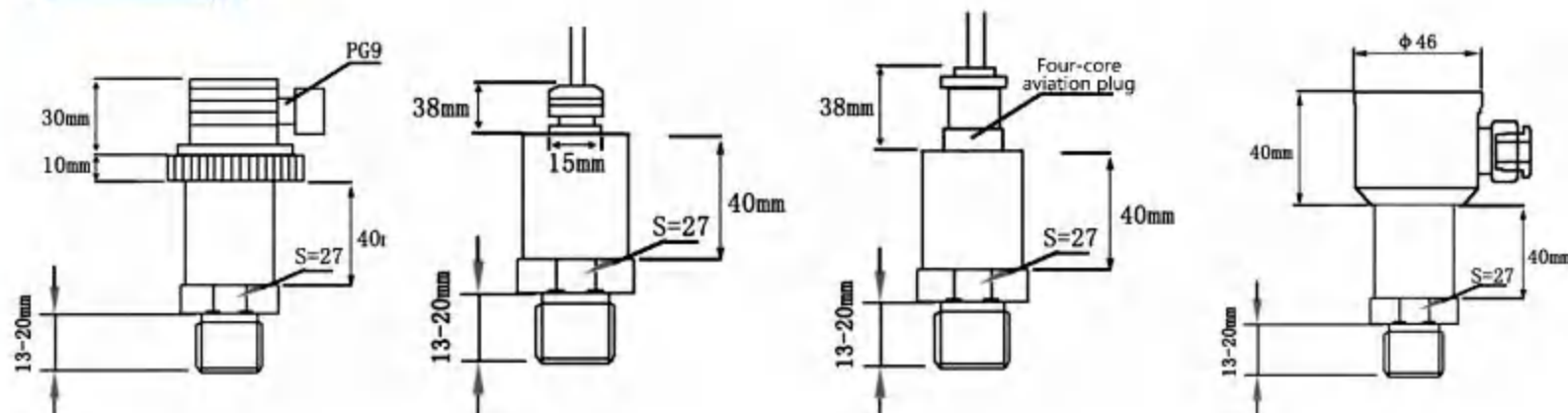
FEATURES

- ◆ Have Wide Range -0.1~0~100MPa made to order
- ◆ A variety of options of Industry standard signal
- ◆ Many Modes of electrical connection
- ◆ A variety of options of Pressure interface
- ◆ Simple shape design, cost-effective

PARAMETER

Pressure core	Diffused silicon, Strain, Sapphires	Pressure Range	-0.1~0~100MPa(Can be customized)
Output signal	4-20mA,0-5V,0-10V,RS485(Can be customized)	Electrical connection	Hersman type, Straight lead type, Air insert type
Precision	0.5LV,0.2LV.	Stability	±0.1%FS/year
Supply voltage	24 (12-36VDC)	Response frequency	500Hz
Process Connection	DefaultM20*1.5(Can be customized)	Shell material	304,316L(Can be customized)
Working temperature	-20~85°C	Compensation temperature	-10~70°C
Oscillation	±10g	Overload pressure	200%Pressure Range
Protection level	IP65	Maximum power	≤0.02Us (W)

SIZE



WH-131 Model number table

Models	Transmitter type	
WH-131-H	Hersman type	WH-131-X On-site display type
WH-131-Z	Straight lead type	WH-131-K Sanitary type
WH-131-C	Air insert type	WH-131-G High temperature type
WH-131-B	Straight lead type	WH-131-KG Sanitary high temperature type
Code	Pressure Range	
X-Y	-100~0~100KPa,0~100MPa	
Code	Process connection	
G1	M20*1.5External thread	G5 NPT1/4External thread
G2	G1/2External thread	G6 G3/8External thread
G3	G1/4External thread	G0 Customisation (See thread remarks table for details)
G4	NPT1/2External thread	
Code	Shell material	
C1	304	
C2	316L	
C3	Teflon	
C0	Customisation	
Code	Output signal	
S1	4~20mATwo-wire system	S5 0~10VDCThree-wire system
S2	4~20mA+HART T-wire system	S6 1~5VDCThree-wire system
S3	RS485/Modbus F-wire system	S0 Customisation
S4	0.5~4.5VDCThree-wire system	
Code	Precision	
J1	0.075%FS	
J2	0.25%FS	
J3	0.5%FS	
J4	1%FS	
Code	Electrical connection	
D1	Hersman	
D2	Glen fuze	
D3	Air insert	
D0	Customisation	
Example	WH-131-C- (0~7MPa) G1C2S3J2D1	

## WH-131 pressure transmitter



Digital display type



Liquid crystal display type



High temperature type



Sanitary type



Sanitary high temperature type

### APPLICATIONS

- ◆ Mechanical engineering application, Servomechanism, Hydraulic pneumatic
- ◆ Measurement of the pressure
- ◆ Food, medicine, wine processing industry
- ◆ Petrochemical, environmental protection, industrial process detection and control

### FEATURES

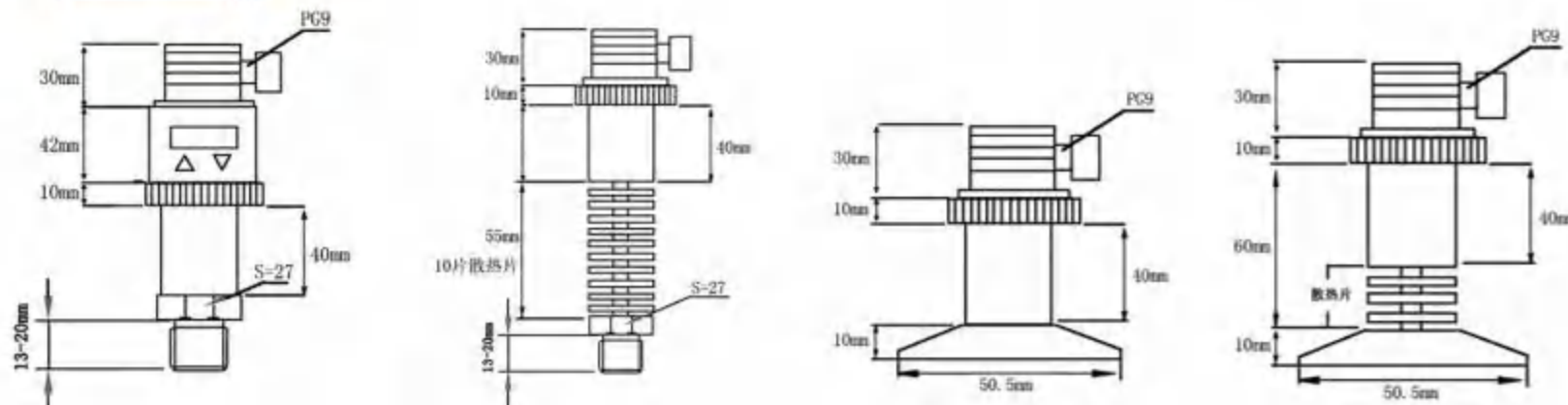
- ◆ Have Wide Range -0.1~0~100MPa made to order
- ◆ A variety of options of Industry standard signal
- ◆ Many Modes of electrical connection
- ◆ A variety of options of Pressure interface
- ◆ Simple shape design, cost-effective

### PARAMETER

Pressure core	Diffused silicon, Strain, Sapphires
Output signal	4-20mA,0-5V,0-10V,RS485(Can be customized)
Precision	0.5LV;0.2LV.
Supply voltage	24 (12-36VDC)
Process Connection	DefaultM20*1.5(Can be customized)
Working temperature	-20~85°C
Oscillation	±10g
Protection level	IP65

Pressure Range	-0.1~0~100MPa(Can be customized)
Electrical connection	Hersman type, Straight lead type, Air insert type
Stability	±0.1%FS/year
Response frequency	500Hz
Shell material	304,316L(Can be customized)
Compensation temperature	-10~70°C
Overload pressure	200%Pressure Range
Maximum power	≤0.02Us (W)

### SIZE



## WH-131 Model number table

Models	Transmitter type	
WH-131-H	Hersman type	WH-131-X On-site display type
WH-131-Z	Straight lead type	WH-131-K Sanitary type
WH-131-C	Air insert type	WH-131-G High temperature type
WH-131-B	Straight lead type	WH-131-KG Sanitary high temperature type
Code	Pressure Range	
X-Y	-100~0~100KPa,0~100MPa	
Code	Process connection	
G1	M20*1.5External thread	G5 NPT1/4External thread
G2	G1/2External thread	G6 G3/8External thread
G3	G1/4External thread	G0 Customisation (See thread remarks table for details)
G4	NPT1/2External thread	
Code	Shell material	
C1	304	
C2	316L	
C3	Teflon	
C0	Customisation	
Code	Output signal	
S1	4~20mA Two-wire system	S5 0~10VDC Three-wire system
S2	4~20mA+HART T-wire system	S6 1~5VDC Three-wire system
S3	RS485/Modbus F-wire system	S0 Customisation
S4	0.5~4.5VDC Three-wire system	
Code	Precision	
J1	0.075%FS	
J2	0.25%FS	
J3	0.5%FS	
J4	1%FS	
Code	Electrical connection	
D1	Hersman	
D2	Glen fuze	
D3	Air insert	
D0	Customisation	
Example	WH-131-C- (0~7MPa) G1C2S3J2D1	

**WH-132** Explosion-proof pressure transmitter



Standard      Digital display type      Liquid crystal display type      Sanitary type      High temperature type

**APPLICATIONS**

- ◆ Level measurement and control, building control, constant pressure water supply
- ◆ Petrochemical, environmental protection, air compression
- ◆ Industrial Process Inspection and control
- ◆ Hydraulic, pneumatic control system, vacuum unit

**FEATURES**

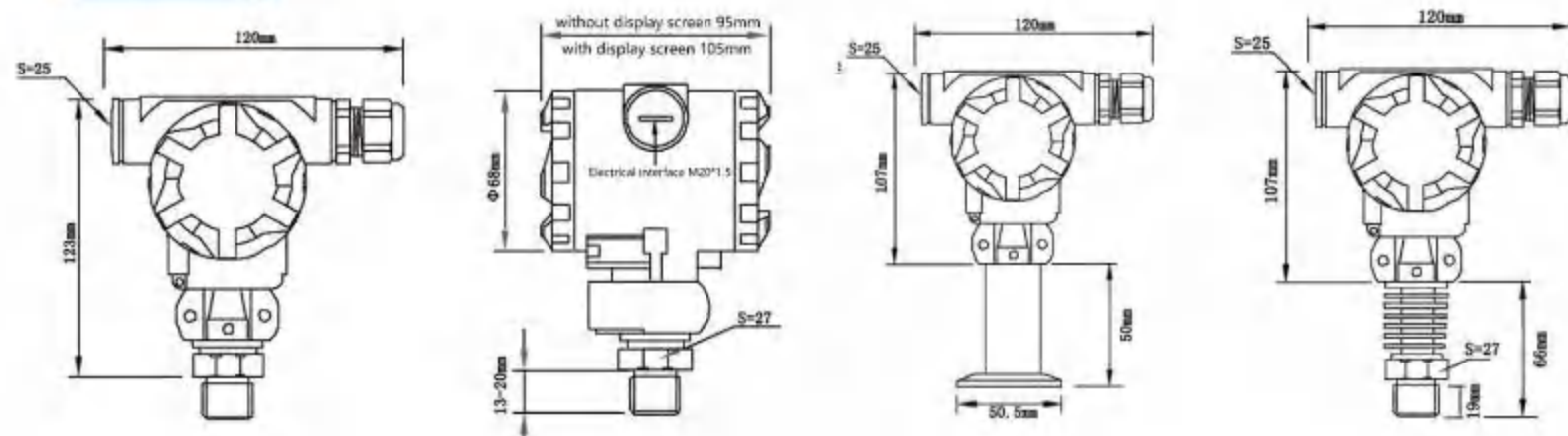
- ◆ Have Wide Range -0.1~0~100MPa made to order
- ◆ A variety of options of Industry standard signal
- ◆ High precision, high stability, polarity protection
- ◆ Aluminum alloy material, stainless steel shell material
- ◆ The watch head can rotate 360°

**PARAMETER**

Pressure core	Diffused silicon, Strain, Sapphires
Output signal	4-20mA,0-5V,0-10V,RS485(Can be customized)
Precision	0.5LV,0.2LV
Supply voltage	24 (12-36VDC)
Process Connection	Default M20*1.5(Can be customized)
Working temperature	-20~85°C
Oscillation	±10g
Protection level	IP65

Pressure Range	-0.1~0~100MPa(Can be customized)
Electrical connection	Terminal
Stability	±0.1%FS/year
Response frequency	500Hz
Shell material	304,316L(Can be customized)
Compensation temperature	-10~70°C
Overload pressure	200%Pressure Range
Maximum power	≤0.02Us (W)

**SIZE**



**WH-132 Model number table**

Models	Transmitter type	
WH-132	Standard(without display screen)	WH-132-D Flange type
WH-132-K	Sanitary type	WH-132-M Diaphragm type
WH-132-G	High temperature type	WH-132-F Preservative type
WH-132-P	Flat film type	
Code	Pressure Range	
X-Y	-100~0~100KPa,0~100MPa	
Code	Process connection	
G1	M20*1.5External thread	G8 DN50 PN16Flange
G2	G1/2External thread	G48 DN25 Diaphragm Flange
G3	G1/4External thread	G49 DN25 Flange match Tetrafluoride
G7	50.5mm Clamp	G0 Customisation
Code	Shell material	
C1	304	C3 Tetrafluoride
C2	316L	C0 Customisation
Code	Output signal	
S1	4~20mA Two-wire system	S5 0~10VDC Three-wire system
S2	4~20mA+HART T-wire system	S6 1~5VDC Three-wire system
S3	RS485/Modbus F-wire system	S0 Customisation
S4	0.5~4.5VDC Three-wire system	
Code	Precision	
J1	0.075%FS	J3 0.5%FS
J2	0.25%FS	J4 1%FS
Code	Display mode	
X1	No field display	
X2	LCD liquid crystal display	
X3	LED Digital tube display	
Code	Electrical connection	
D4	Terminal	D0 Customisation
Code	Protection level	
F1	IP65	F2 IP67
Code	Explosion-proof rating	
T4	CT4	T6 CT6
Example	WH-132-G (0~7MPa) G1C2S3J2X2D4F1T6	

WH-136 liquid level transmitter



One size fits all



Split type



High temperature type



Preservative type

APPLICATIONS

- ◆ Wells, cisterns, cisterns, urban water supply
- ◆ Monitoring of reservoirs, rivers and oceans
- ◆ River Dam, Water Conservancy and hydropower, hydrological monitoring and control
- ◆ Food, beverage, pharmaceutical, chemical and other equipment

FEATURES

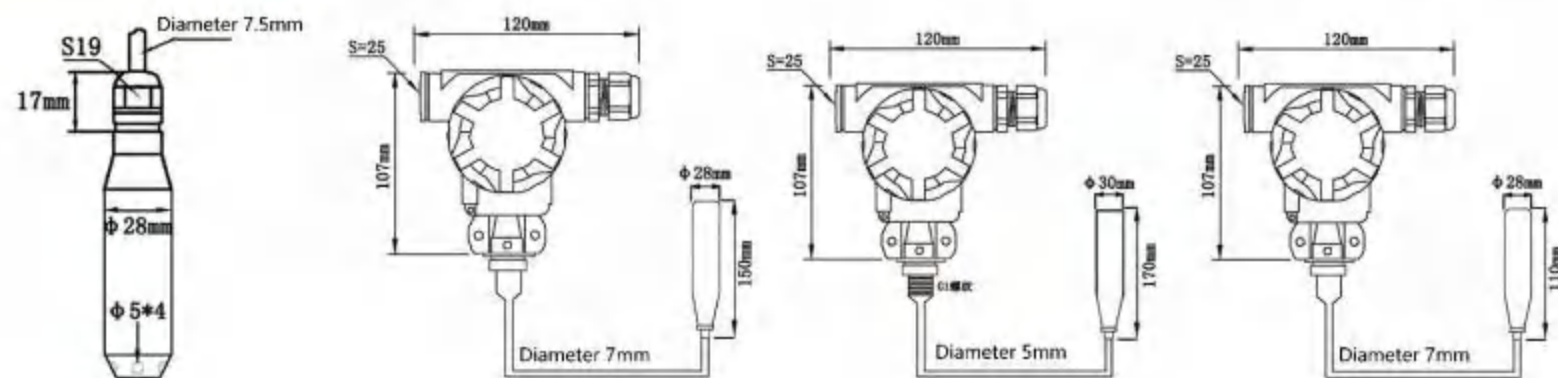
- ◆ 0...1...500MH<sub>2</sub>O
- ◆ A variety of industry standard signal outputs are optional
- ◆ High precision, High stability, Polarity Protection
- ◆ Dampproof, Prevent condensation, Prevent leakage
- ◆ According to the requirements to increase the full degree of zero adjustment function

PARAMETER

Pressure core	Diffused silicon, Strain, Sapphires
Output signal	4-20mA,0-5V,0-10V,RS485(Can be customized)
Precision	0.5LV;0.2LV.
Supply voltage	24 (12-36VDC)
Process Connection	DefaultM20*1.5(Can be customized)
Working temperature	-10~70°C(High temperature type Can be customized)
Oscillation	±10g
Protection level	IP68

Pressure Range	0~1...500mH <sub>2</sub> O
Electrical connection	Straight out of the line, Terminal
Stability	±0.1%FS/year
Response frequency	500Hz
Shell material	304,316L, Tetrafluoride(Can be customized)
Compensation temperature	-10~70°C
Overload pressure	200%Pressure Range
Maximum power	≤0.02Us (W)

SIZE



WH-136 Model number table

Models	Transmitter type		
WH-136	One size fits all		
WH-136-B	Split type		
WH-136-G	High temperature type		
WH-136-F	Preservative type		
Code	Pressure Range		
X-Y	0~1~500mH <sub>2</sub> O		
Code	Process connection		
G1	M20*1.5External thread		
G8	DN50 National Standard Flange		
G10	Input type		
G0	Customisation		
Code	Shell material		
C1	304	C3	Tetrafluoride
C2	316L	C0	Customisation
Code	Output signal		
S1	4~20mA Two-wire system	S5	0~10VDC Three-wire system
S2	4~20mA+HART T-wire system	S6	1~5VDC Three-wire system
S3	RS485/Modbus F-wire system	S0	Customisation
S4	0.5~4.5VDC Three-wire system		
Code	Precision		
J1	0.075%FS	J3	0.5%FS
J2	0.25%FS	J4	1%FS
Code	Display mode		
X1	No field display		
X2	LCD liquid crystal display		
X3	LED Digital tube display		
Code	Electrical connection		
D2	Straight out of the line	D0	Customisation
D4	Terminal		
Code	Explosion-proof rating		
T4	CT4	T6	CT6
Example	WH-136-G (0~7mH <sub>2</sub> O) G10C1S1J2X2D4T6		

**WH-3051** single crystal silicon pressure transmitter

**FEATURES**

- ◆ Have Wide Range -0.1~0~100MPa made to order
- ◆ High overload, Good performance
- ◆ According to the requirements to increase the full degree of zero adjustment function
- ◆ The watch head can rotate 360°
- ◆ High precision, high stability, polarity protection

**APPLICATIONS**

- ◆ Mechanical engineering applications, Servomechanism, Hydraulic pneumatic
- ◆ Petrochemical, Environmental Protection, Pharmaceutical
- ◆ Industrial Process Inspection and control
- ◆ General Industrial Control Area

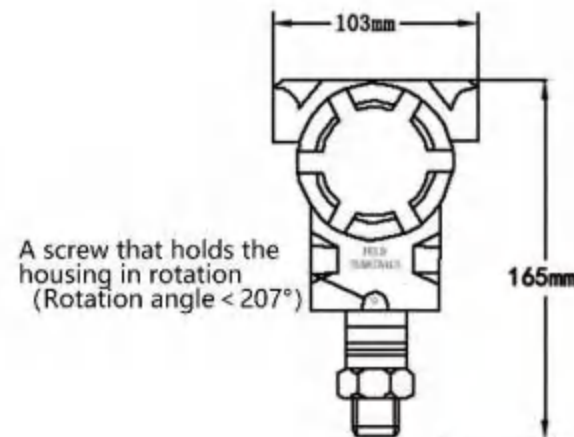
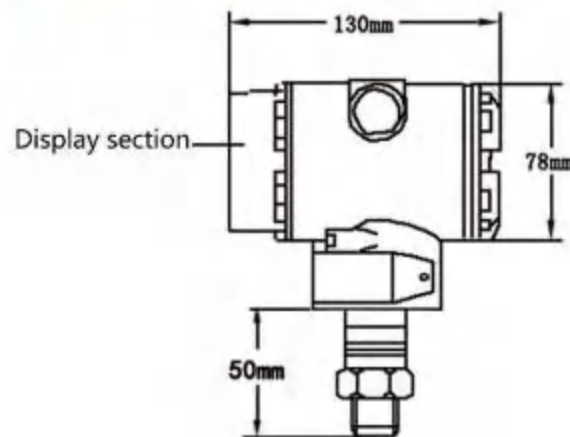
**PARAMETER**

Pressure core	Monocrystalline silicon
Output signal	4-20mA+HART/Square output
Precision	0.075%FS
Supply voltage	24 (12-36VDC)
Process Connection	DefaultM20*1.5(Can be customized)
Working temperature	-20~85°C
Oscillation	±10g
Protection level	IP65

Pressure Range	-0.1~0~100MPa(Can be customized)
Electrical connection	Terminal
Stability	±0.1%FS/year
Response frequency	500Hz
Shell material	316L(Can be customized)
Compensation temperature	-10°C~70°C
Overload pressure	25MPa
Maximum power	≤0.02Us (W)



**SIZE**



**WH-3051 Model number table**

Models	Transmitter type
WH-3051-DJ	single crystal silicon pressure transmitter
Code	Pressure Range
X-Y	-100KPa~0~100KPa,0~100MPa
Code	Process connection
G1	M20*1.5External thread
G2	G1/2External thread
G3	G1/4External thread
G4	NPT1/2External thread
G5	NPT1/4External thread
G6	G3/8External thread
G0	Customisation
Code	Shell material
C1	304
C2	316L
C0	Customisation
Code	Output signal
S1	4~20mA Two-wire system
S2	4~20mA+HART T-wire system
S13	4~20mA Two-Square output
S0	Customisation
Code	Precision
J1	0.075%FS
J2	0.25%FS
Code	Electrical connection
D4	Terminal
D0	Customisation
Code	Explosion-proof rating
T4	CT4
T6	CT6
Example	WH-3051-DJ (0~5KPa) G1C2S2J1D4T6

**WH-3051** single crystal silicon pressure transmitter

**FEATURES**

- ◆ -0.1...0...2000KPa Range of measurement
- ◆ Excellent static pressure performance (The maximum static pressure is 32 mpa)
- ◆ The Zero Point and range can be adjusted by pressing keys on the spot, and the range ratio is 50:1
- ◆ According to the requirements to increase the full degree of zero adjustment function
- ◆ The watch head can rotate 360°

**APPLICATIONS**

- ◆ Hydraulic and pneumatic control system, level measurement and control
- ◆ Power Station Operation Inspection, locomotive braking system
- ◆ Hot Unit, light industry, machinery. Metallurgy
- ◆ Industrial Process Inspection and control

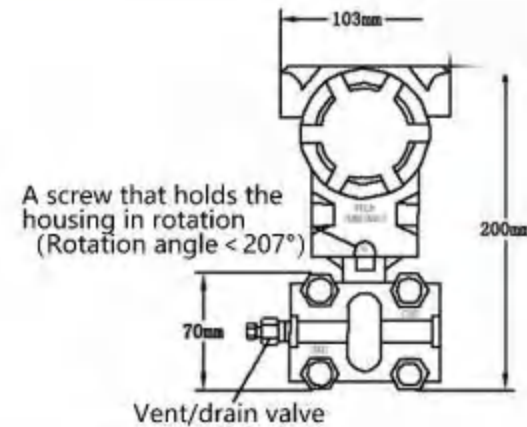
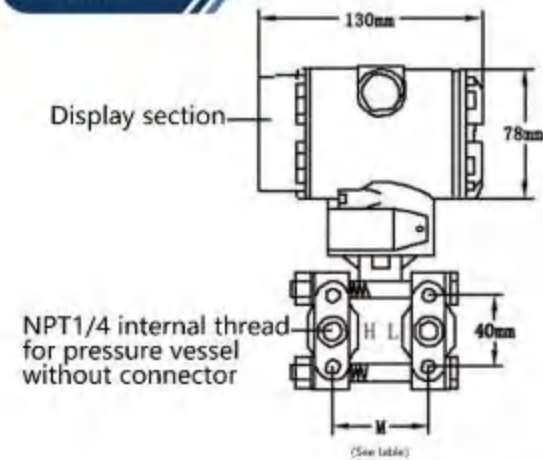
**PARAMETER**



Pressure core	Monocrystalline silicon
Output signal	4-20mA,HART protocol,RS485(Can be customized)
Precision	0.075%FS
Supply voltage	24 (12-36VDC)
Process Connection	NPT1/4(Can be customized)
Working temperature	-20°C~100°C
Oscillation	±10g
Protection level	IP65

Pressure Range	-0.1...0...2000KPa(Can be customized)
Electrical connection	Terminal
Stability	±0.1%FS/year
Response frequency	500Hz
Shell material	316L(Can be customized)
Repeatability	0.05% of full range
Overload pressure	200%Pressure Range
Maximum power	≤0.02Us (W)

**SIZE**



Rated range	2, 3, 4, 5	6	7	8	9
M (mm)	54	55.2	55.6	57.2	59

**WH-3051** single crystal silicon single flange differential pressure transmitter

**FEATURES**

- ◆ -0.1...0...2000KPa Range of measurement
- ◆ Excellent static pressure performance (The maximum static pressure is 32 mpa)
- ◆ The Zero Point and range can be adjusted by pressing keys on the spot, and the range ratio is 50:1
- ◆ According to the requirements to increase the full degree of zero adjustment function
- ◆ The watch head can rotate 360°

**APPLICATIONS**

- ◆ Hydraulic and pneumatic control system, level measurement and control
- ◆ Power Station Operation Inspection, locomotive braking system
- ◆ Hot Unit, light industry, machinery. Metallurgy
- ◆ Industrial Process Inspection and control

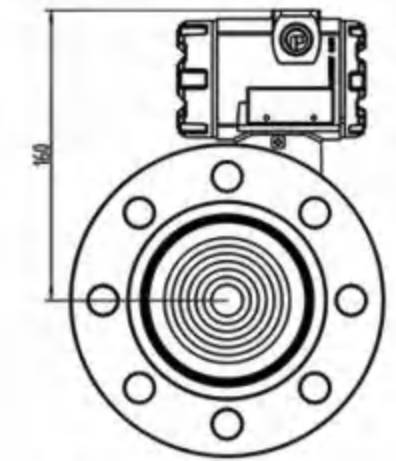
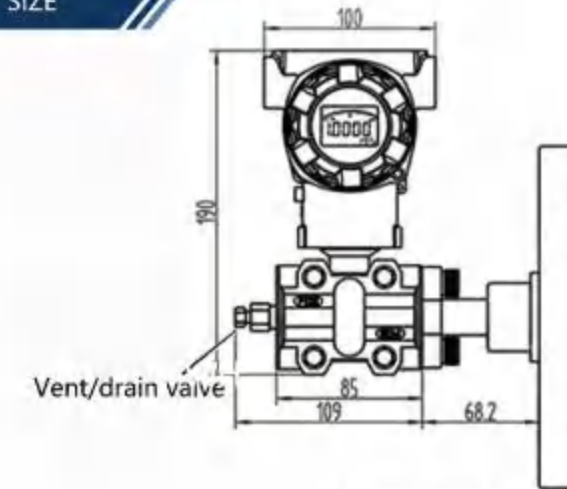
**PARAMETER**



Pressure core	Monocrystalline silicon
Output signal	4-20mA,HART protocol,RS485(Can be customized)
Precision	0.075%FS
Supply voltage	24 (12-36VDC)
Process Connection	NPT1/4(Can be customized)
Working temperature	-20°C~100°C
Oscillation	±10g
Protection level	IP65

Pressure Range	-0.1...0...2000KPa(Can be customized)
Electrical connection	Terminal
Stability	±0.1%FS/year
Response frequency	500Hz
Shell material	316L(Can be customized)
Repeatability	0.05% of full range
Overload pressure	200%Pressure Range
Maximum power	≤0.02Us (W)

**SIZE**



Rated range	2, 3, 4, 5	6	7	8	9
M (mm)	54	55.2	55.6	57.2	59

**WH-3051** single crystal silicon double flange differential pressure

**FEATURES**

- ◆ -0.1...0...2000KPa Range of measurement
- ◆ Excellent static pressure performance (The maximum static pressure is 32 mpa)
- ◆ The Zero Point and range can be adjusted by pressing keys on the spot, and the range ratio is 50:1
- ◆ According to the requirements to increase the full degree of zero adjustment function
- ◆ The watch head can rotate 360°

**APPLICATIONS**

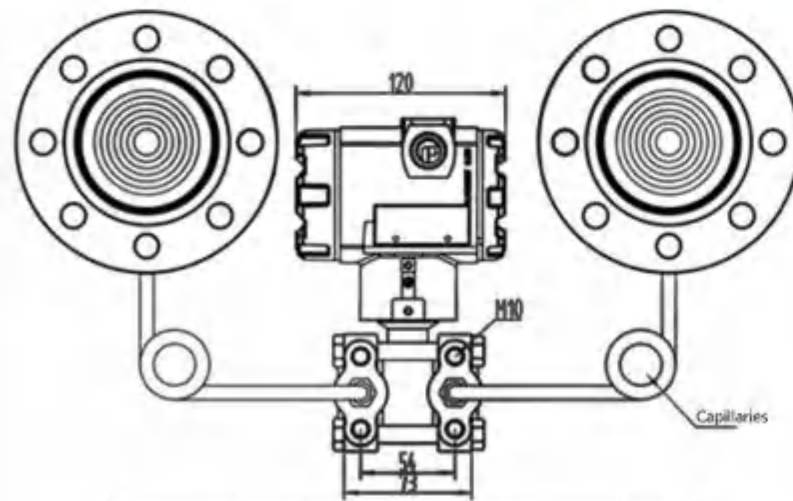
- ◆ Hydraulic and pneumatic control system, level measurement and control
- ◆ Power Station Operation Inspection, locomotive braking system
- ◆ Hot Unit, light industry, machinery, Metallurgy
- ◆ Industrial Process Inspection and control



**PARAMETER**

Pressure core	Monocrystalline silicon	Pressure Range	-0.1...0...2000KPa(Can be customized)
Output signal	4-20mA,HART protocol,RS485(Can be customized)	Electrical connection	Terminal
Precision	0.075%FS	Stability	±0.1%FS/year
Supply voltage	24 (12-36VDC)	Response frequency	500Hz
Process Connection	NPT1/4(Can be customized)	Shell material	316L(Can be customized)
Working temperature	-20°C~100°C	Repeatability	0.05% of full range
Oscillation	±10g	Overload pressure	200%Pressure Range
Protection level	IP65	Maximum power	≤0.02Us (W)

**SIZE**



Rated range	2, 3, 4, 5	6	7	8	9
M(mm)	54	55.2	55.6	57.2	59

**WH-3051 Model number table**

Models	Transmitter type	
WH-3051-DR0	Standard	WH-3051-DR2 Double Flange
WH-3051-DR1	Single Flange	
Code	Range	
X-Y	-0.1...20...2000KPa,0~20mH2O(Need static pressure)	
Code	Process connection	
G7	50.5mm Clamp	G34 NPT1/2 internal thread
G8	DN50 PN16 Flange	G43 DN25 PN16 Flange
G9	DN80 PN16 Flange	G0 Customisation
G33	NPT1/4 internal thread	
Code	Mounting bracket	
A1	Pipe-mounted flat bracket	A3 Plate mounted flat bracket
A2	Pipe bending bracket	
Code	Capillary length	
L1	1m	L3 5m
L2	3m	L4 7m
Code	Contact liquid material	
C1	304	C4 Harrington alloy C
C2	316L	C5 Tantalum diaphragm
C3	PTFE	C0 Customisation
Code	Exhaust/liquid valve	
P1	Rear flange end face	P3 On the lower side of the flange
P2	On the upper side of the flange	P4 Clean the rings
Code	Output signal	
S1	4~20mA Two-wire system	S7 0~20mA Square output
S2	4~20mA+HART T-wire system	S0 Customisation
S3	RS485/Modbus F-wire system	
Code	Electrical connection	
D4	Terminal	D0 Customisation
Code	Protection level	
F1	IP65	F2 IP67
Code	Explosion-proof rating	
T4	CT4	T6 IP67
Example	WH-3051-DR0 (0~5mH2O) G33A1L1G2P1S7D1F1T6	



WH-PT temperature transmitter

FEATURES

- ◆ Simple Assembly, easy replacement
- ◆ Good seismic performance and high measurement accuracy
- ◆ The measuring range is large
- ◆ Quick thermal response time, long service life
- ◆ High mechanical strength, pressure resistance, wear resistance

APPLICATIONS

- ◆ Metallurgy, petroleum, chemical industry, boiler
- ◆ Food, medicine, beer, drink
- ◆ Equipment Matching, scientific experiment and evaluation device
- ◆ Industrial site temperature measurement and control

PARAMETER

Measuring element	PT100
Output signal	4-20mA,0-5V,0-10V,RS485(Can be customized)
Precision	0.5LV;0.2LV.
Supply voltage	24 (12-36VDC)
Process Connection	DefaultM20*1.5(Can be customized)
Working temperature	-20~85°C
Oscillation	±10g
Protection level	IP65

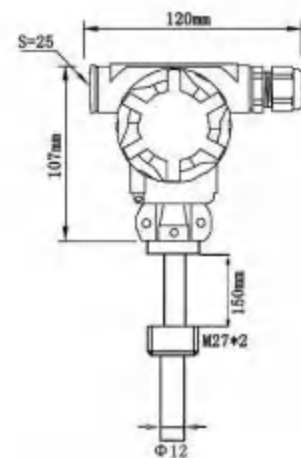
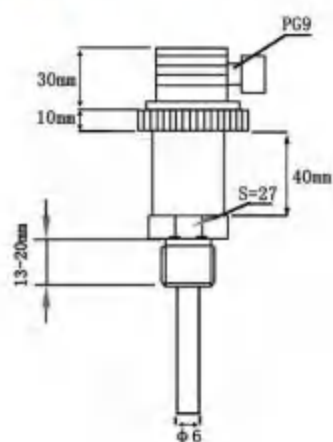
Pressure Range	-200°C~-500°C(Can be customized)
Electrical connection	Hersman type, Straight lead type, Air insert type
Stability	±0.1%FS/year
Response frequency	500Hz
Shell material	304,316L(Can be customized)
Protective pipe direct	6mm,8mm,12mm,16mm(Can be customized)
Repeatability	200%Pressure Range
Maximum power	0.05% of full range



WH-PT Model number table

Models	Transmitter type		
WH-PT33	One-piece insert temperature transmitter		
WH-PT34	Explosion-proof temperature transmitter		
Code	Range		
X-Y	-200°C~-500°C		
Code	Process connection		
G1	M20*1.5External thread	G4	NPT1/2External thread
G2	G1/2External thread	G5	NPT1/4External thread
G3	G1/4External thread	G0	Customisation
Code	Shell material		
G1	304	G0	Customisation
G2	316L		
Code	Length of protective tube		
L	10mm~2000mm		
Code	Outside diameter of protective tube		
B1	6mm	B3	10mm
B2	8mm	B4	12mm
Code	Output signal		
S1	4~20mA Two-wire system		
S2	4~20mA+HART T-wire system		
S3	RS485/Modbus F-wire system		
S0	Customisation		
Code	Precision		
J2	0.25%FS		
J3	0.5%FS		
Code	Display mode		
X1	No field display	X3	LED Digital tube display
X2	LCD liquid crystal display		
Code	Electrical connection		
D1	Hersman	D3	Air insert
D2	Glen fuze	D4	Terminal
Code	Explosion-proof rating		
T4	CT4		
T6	CT6		
Example	WH-PT34-(0~100°C) G1C1L100B2S1J3X1D4T6		

SIZE



## WH-131-WX wireless pressure transmitter

### FEATURES

- ◆ Have Range 0~100MPa made to order
- ◆ A variety of industry standard signal outputs are optional
- ◆ Wireless connection, battery power mode
- ◆ A variety of pressure interface options
- ◆ Simple shape design, cost-effective

### APPLICATIONS

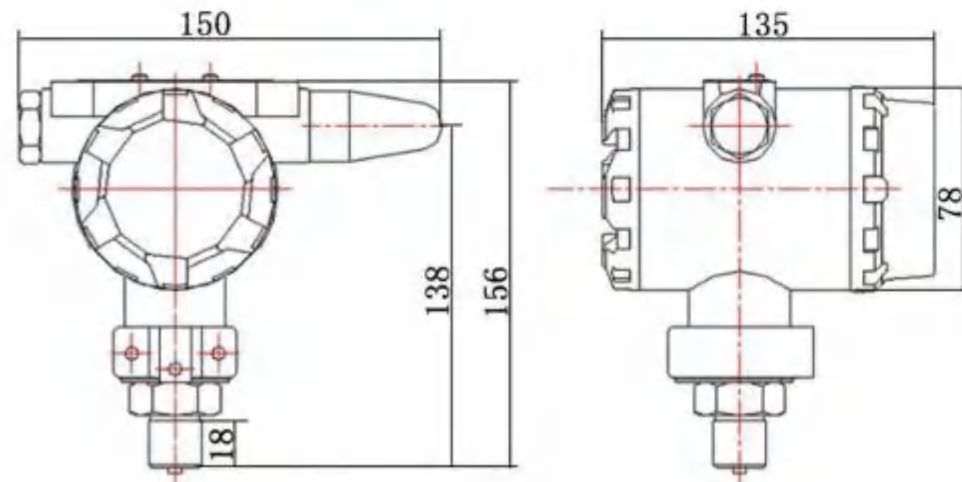
- ◆ Mechanical engineering application, Servomechanism, Hydraulic pneumatic
- ◆ Measurement of High pressure water jet, Barometric pressure
- ◆ Measurement of Pipe pressure
- ◆ General Industrial Control Area

### PARAMETER

Pressure core	Diffused silicon, Strain, Sapphires	Pressure Range	0~100MPa(Can be customized)
Output signal	NB-IOT, 4G, LORA	Power supply	Powered by lithium-ion batteries (Do not charge) Rechargeable battery
Precision	0.5LV.	Stability	±0.1%FS/year
Supply voltage	36V 1900mAh, 3.7V 1000mAh	Response frequency	500Hz
Process Connection	Custom made	Shell material	304,316L(Can be customized)
Working temperature	0~60°C	Compensation temperature	0~60°C
Oscillation	±10g	Overload pressure	150%F.S
Protection level	IP65	Maximum power	≤0.02Us (W)



### SIZE



## WH-131-WX Wireless power level transmitter

### FEATURES

- ◆ 0~60M Measuring range
- ◆ A variety of options of Industry standard signal
- ◆ High precision, high stability, polarity protection
- ◆ Moisture-proof, dew-proof, anti-seepage function
- ◆ According to the requirements to increase the full degree of zero adjustment function

### APPLICATIONS

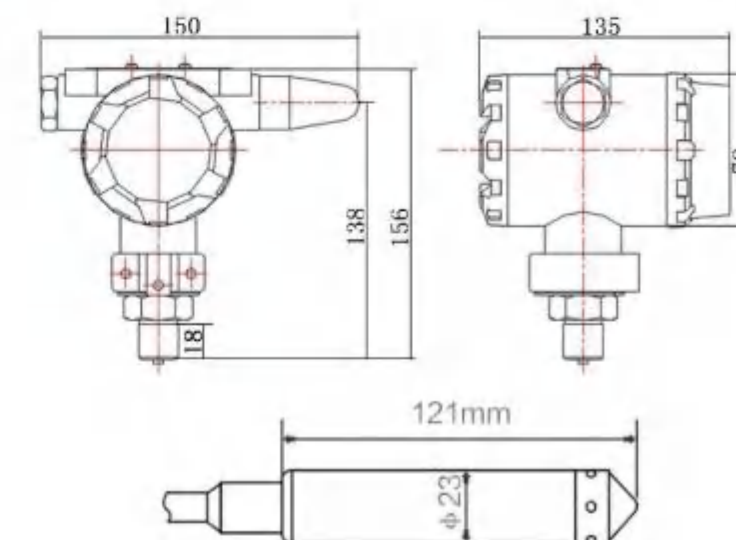
- ◆ Wells, cisterns, cisterns, urban water supply
- ◆ Monitoring of reservoirs, rivers and oceans
- ◆ River Dam, Water Conservancy and hydropower, hydrological monitoring and control
- ◆ Food, beverage, pharmaceutical, chemical and other equipment

### PARAMETER

Pressure core	Diffused silicon, Strain, Sapphires	Range	0~60(Can be customized)
Output signal	NB-IOT, 4G, LORA	Electrical connection	Powered by lithium-ion batteries (Do not charge) Rechargeable battery
Precision	0.5LV.	Stability	±0.1%FS/year
Supply voltage	36V 1900mAh, 3.7V 1000mAh	Response frequency	500Hz
Process Connection	Custom made	Shell material	304,316L,Teflon(Can be customized)
Working temperature	-30~70°C	Compensation temperature	-30~70°C
Oscillation	±10g	Overload pressure	150%F.S
Protection level	IP68	Maximum power	≤0.02Us (W)



### SIZE



## WH-PT-WX wireless temperature transmitter

### FEATURES

- ◆ -100°C~600°C Measuring range
- ◆ Simple Assembly, easy replacement
- ◆ Good seismic performance and high measurement accuracy
- ◆ Quick thermal response time, long service life
- ◆ High mechanical strength, pressure resistance, wear resistance

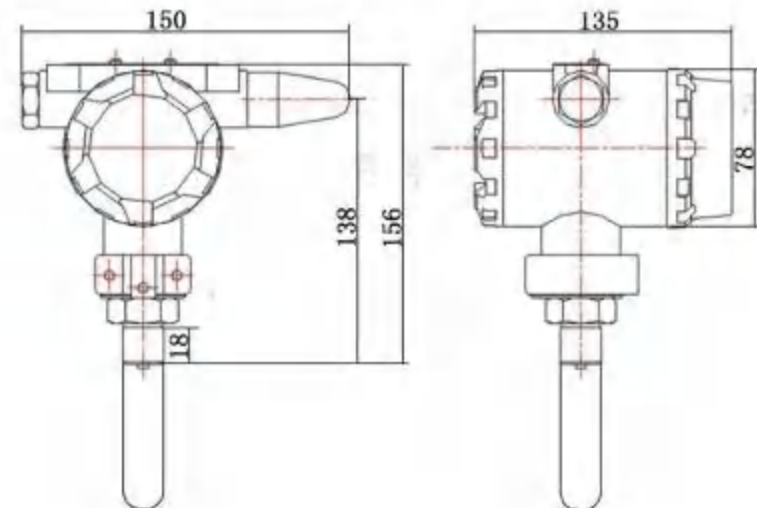
### APPLICATIONS

- ◆ Metallurgy, petroleum, chemical industry, boiler
- ◆ Food, medicine, beer, drink
- ◆ Equipment Matching, scientific experiment and evaluation device
- ◆ Industrial site temperature measurement and control

### PARAMETER

Measuring element	PT100	Pressure Range	-200°C~-500°C(Can be customized)
Output signal	NB-IOT, 4G, LORA	Power supply	Powered by lithium-ion batteries (Do not charge) Rechargeable battery
Precision	0.5LV, 0.2LV,	Stability	±0.1%FS/year
Supply voltage	24 (12-36VDC)	Response frequency	500Hz
Process Connection	Default M20*1.5(Can be customized)	Shell material	304, 316L(Can be customized)
Working temperature	-20~85°C	Protective pipe direct	6mm, 8mm, 12mm, 16mm(Can be customized)
Oscillation	±10g	Repeatability	200%Pressure Range
Protection level	IP65	Maximum power	0.05% of full range

### SIZE



## WH-118 battery powered transmitter



Battery Powered Pressure Transmitters



Battery Powered Explosion Proof Pressure



Battery Powered Remote Level Transmitter

### APPLICATIONS

- ◆ Mechanical engineering application, Servomechanism, Hydraulic pneumatic
- ◆ Measurement of High pressure water jet, Barometric pressure
- ◆ Measurement of Pipe pressure
- ◆ General Industrial Control Area

### PARAMETER

Pressure core	Diffused silicon, Strain, Sapphires	Pressure Range	-0.1~0~100MPa(Can be customized)   )
Output signal	4-20mA, 0-5V, 0-10V, RS485(Can be customized)	Electrical connection	Hersman type, Straight lead type, Air insert type
Precision	0.5LV, 0.2LV,	Stability	±0.1%FS/year
Supply voltage	24 (12-36VDC)	Response frequency	500Hz
Process Connection	Default M20*1.5(Can be customized)	Shell material	304, 316L(Can be customized)
Working temperature	-20~85°C	Compensation temperature	-10~70°C
Oscillation	±10g	Overload pressure	200%Pressure Range
Protection level	IP65	Maximum power	≤0.02Ws (W)

### FEATURES

- ◆ Have Wide Range -0.1~0~100MPa made to order
- ◆ A variety of options of Industry standard signal
- ◆ Many Modes of electrical connection
- ◆ A variety of options of Pressure interface
- ◆ Simple shape design, cost-effective

### SIZE

